

Air Flow 2,75 / 3,30 m <sup>3</sup> /min (50 / 60 Hz)
Noise level 45 / 50 dBA (50 / 60 Hz)

## Axial AC FAN

### SK 2120-AC

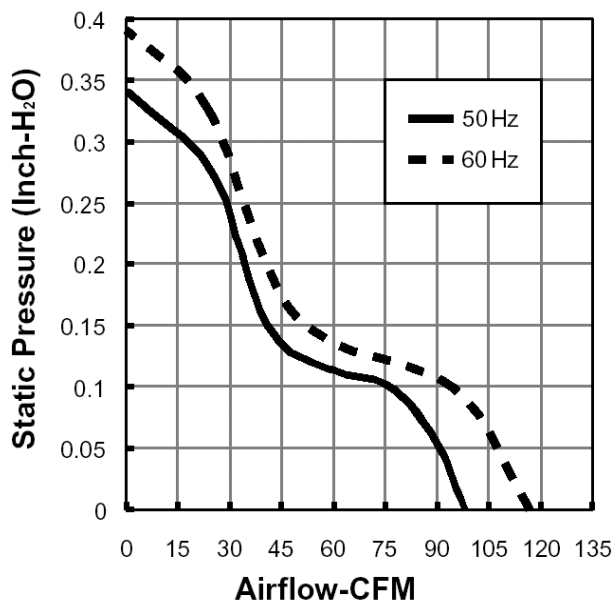
Preliminary Data

Characteristics	SK 2120-AC
Air Flow	97 CFM (50 Hz) 117 CFM (60 Hz)
Rated voltage (50 / 60 Hz)	220...240 VAC
Supply current	140 mA (50 Hz) 120 mA (60 Hz)
Power consumption	22 W (50 Hz) 21 W (60 Hz)
Static Pressure	0,34 inch-H <sub>2</sub> O (50 Hz) 0,39 inch-H <sub>2</sub> O (60 Hz)
Weight	550 g

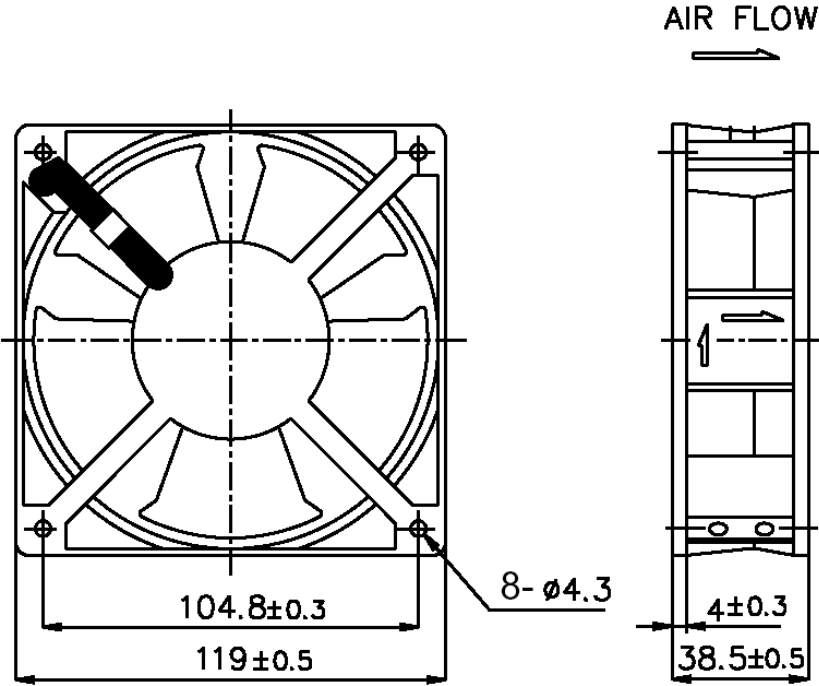


#### Features

- Ball bearing
- Die-cast aluminum frame
- PBT Thermoplastic impeller
- Low noise
- 50 / 60 Hz operation
- Fast-on terminals
- Long life: > 40.000 h
- UL / CSA / VDE certified



SK 2120-AC



Dimensions in mm